



Model PRE / 36E Series

PRESSURE REDUCING VALVE

Job Name:	Contractor:
Job Location:	P.O. Number:
Engineer:	Representative:
Tag:	Wholesale Distributor:

DESCRIPTION

The new Apollo® Model PRE (36E Series) Pressure Reducing Valve is designed to protect residential and commercial water distribution systems by automatically reducing excessive supply pressures. The dezincification resistant bronze body and dielectric polymer cage provide maximum corrosion resistance. Designed for easy in-line servicing with simple cartridge removal.

FEATURES

- Balanced Piston Design
- Sealed Cage for vault installations
- Built-in Thermal Expansion By-Pass
- Integral Stainless Steel strainer
- Modular Seat Disc and Strainer Cartridge
- High flow / high efficiency
- Control Pressure Ranges: 15-75 psi and 75-150 psi
- NPT, Solder, PEX and CPVC connections
- Factory tested and preset at 50 psi
- **100% Manufactured in USA – ARRA Compliant**

MATERIAL SPECIFICATIONS

Part Name	Material
Body	Bronze, ASTM B584
Tailpiece	Brass, ASTM B16
Screen	Stainless Steel
Spring Housing	Glass Filled Celcon®
Diaphragm	NSF grade EPDM
Seat Disc	FDA grade EPDM
Adjusting Screw & Nut	Stainless Steel
Spring	Music Wire ASTM A228
Cage Seal	Nitrile
O-Rings	NSF grade EPDM

PERFORMANCE RATING

Maximum Supply Pressure: 400 psig
Working Temperature Range 33°F – 180°F

APPROVALS: City of Los Angeles



MODEL PRE

UNION

- BLANK** – Single Union
- D** – Double Union
- T** – No Union (Threaded Only)

PRESSURE RANGE

- BLANK** – Standard 15 - 75 PSIG
- H** – High Pressure 75 – 150 PSIG

SIZE

- 12 = 1/2"
- 34 = 3/4"
- 1 = 1"

END CONNECTIONS

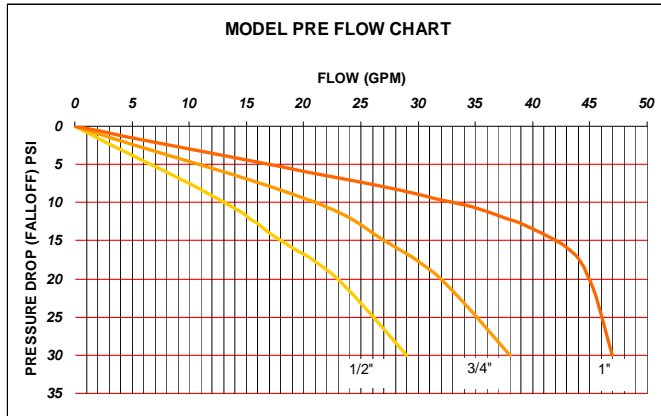
- Blank** – FNPT x FNPT
- S** – Solder
- C** – CPVC
- X** – PEX
- P** – PUSH
- PR** – PRESS



Model PRE / 36E Series

PRESSURE REDUCING VALVE

FLOW AND SIZING INFORMATION



Based on 100 psi inlet pressure and 50 psi outlet static condition.

WATER CAPACITY (GPM)

PIPE SIZE	FALL-OFF	PRESSURE DIFFERENTIAL (PSI)		
	(PSI)	25	50	75
1/2"	10	10	13	16
	15	13	18	22
	20	17	23	29
	30	22	29	36
3/4"	10	16	21	26
	15	20	27	32
	20	24	32	40
	30	29	38	48
1"	10	25	33	41
	15	30	42	52
	20	34	45	56
	30	35	47	59

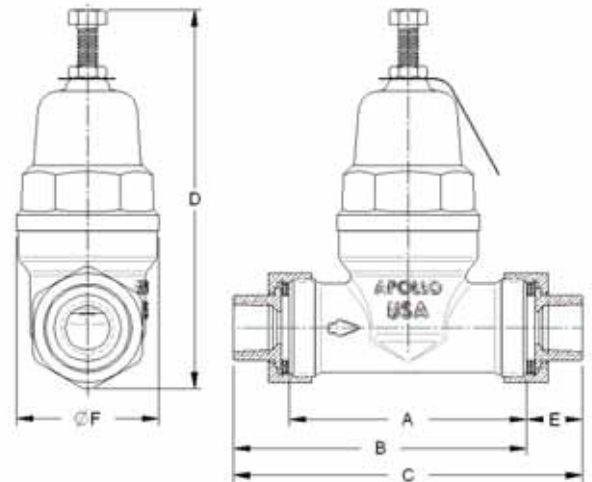
Pressure differential is the difference between the supply pressure and adjusted outlet pressure measured in the static (closed) condition.

Fall-off is the difference in psi between the static and flowing pressures.

DIMENSIONAL INFORMATION

CONNECT TYPE	SIZE (in)	DIMENSIONS (IN.)						WT. (Union) (lbs. EA)
		A	B	C	D	E	F	
THREAD	1/2"	3-5/8	4-1/2	5-3/8	6	5/8	2-3/4	3.5
SOLDER	1/2"	3-5/8	4-1/2	5-1/2	6	1/2	2-3/4	3.4
PEX	1/2"	3-5/8	4-1/2	5-1/2	6	5/8	2-3/4	3.3
CPVC	1/2"	3-5/8	4-1/4	5	6	1/2	2-3/4	3.1
THREAD	3/4"	3-5/8	4-1/2	5-1/2	6	5/8	2-3/4	3.4
SOLDER	3/4"	3-5/8	4-1/2	5-1/2	6	3/4	2-3/4	3.3
PEX	3/4"	3-5/8	4-5/8	5-5/8	6	5/8	2-3/4	3.2
CPVC	3/4"	3-5/8	4-1/2	5-1/2	6	5/8	2-3/4	3.0
THREAD	1"	3-5/8	4-5/8	5-3/4	6	5/8	3-3/8	4.5
SOLDER	1"	3-5/8	4-5/8	5-3/4	6	7/8	3-3/8	4.4
PEX	1"	3-5/8	4-3/4	6	6	3/4	3-3/8	4.3
CPVC	1"	3-5/8	4-3/4	6	6	15/16	3-3/8	4.0

Nominal dimensions are shown, subject to typical manufacturers' tolerances.



ORDER NUMBER MATRIX

--	--	--	--	--	--

36E	1	X	X	X	X
	<i>STYLE</i>	<i>UNION</i>	<i>SIZE</i>	<i>PRESSURE</i>	<i>CONNECTION</i>

36E - Standard
36ELF-Lead Free

0- NO UNION NPT
1- SINGLE UNION
2- DOUBLE UNION

3 - 1/2"
4 - 3/4"
5 - 1"

01 = 15-75 PSI RANGE
03 = 75-150 PSI

T- FNPT THREAD
S- SOLDER
C- CPVC
X- PEX



Conbraco Industries, Inc. 701 Matthews Mint Hill Rd. Matthews NC 28106 USA; www.apollovalves.com ; 704-841-6000

This specification is provided for reference only. Conbraco reserves the right to change any portion of this specification without notice and without incurring obligation to make such changes to Conbraco products previously or subsequently sold.